

**DISCOUNT TRACTOR
PARTS**

PH 0800 872272

MASSEY FERGUSON 135

With petrol supplement

Parts catalogue and price list

Updated September 2011



Box 70059 7 Airdrie Rd , Ranui , Auckland

Ph 09 8337483 Fax 09 8335186

E mail jleedtp2@ihug.co.nz

**ALL PRICES PLUS GST
& SUBJECT TO CHANGE**

DISCOUNT TRACTOR PARTS

Massey Ferguson 135 Diesel

Parts price list.

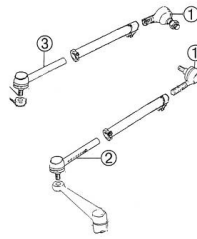
Ph 0800 872272

7 Airdrie Rd., Box 70059, Ranui, Auckland.

Ph 09 8337483 fax 09 8335186

Front Axle

- King Pins LH RH \$118.70 ea
- King Pin Repair Kit \$25.50 per side
- King pin lower thrust brg \$13.41
- King pin bush \$5.10 ea. 2 per side req.
- Dust Shield \$12.20
- Spindle seal \$2.34
- Wheel bearing & Seal Kit \$45.00 per side
- Hub oil seal \$4.86
- Wheel Hub \$72.00 (takes wheel bolts)
- Hub cap \$9.36
- Keyed Washer 3/4in Dia \$3.56
1 1/4 in Dia \$3.56
- Castellated Nut 3/4in Dia \$3.21
1 1/4in Dia \$8.27
- Wheel Stud \$2.49
- Wheel Nut \$2.19
- Wheel stud bolt \$2.81
- Wheel rim 4.5 x 16 \$88.00 (600 x 16 tyre)



Radius Rod Axle *To ser. no 140128*

- Axle pivot pin \$51.48
- Flanged bush \$12.45 ea 2 req
- Tie Rod Ends 1) rear \$28.50
2) Front \$25.05
Boots \$4.00
- Bolt & nut Axle beam to exten \$5.15
- Bolt & nut Radius rod to axle \$6.24



Non Radius Rod Axle

- From Ser.no140129*
- Axle pivot pin \$49.92
- Axle pivot bush \$11.70



Tie Rod Ends Manual steer models

- 1) Rear LH/RH \$28.50 ea
- 2) Front LH/RH \$39.00 ea

Tie rod ends *Power Steering models*

- Rear drag link \$28.50 ea
- Front drag link \$49.50 ea
- Hy. ram. f/m Thread \$45.24ea
- Hy. ram Male Thread \$39.00 ea
- Power steer ram \$395.10 per side
(Non orig ram)
- Ram Seal Kit (non orig) \$64.00
- Ram seal kit \$33.69 per side (orig model)
- Power steer hydraulic pump \$639.84
- Pump Seal Kit \$28.08



Cooling

Hoses

- Radiator hose kit \$31.50 *note 1a*
- Radiator hose kit \$33.00 *note 1b*
- 1) Top Hose \$10.40
- 2) Bottom Hose \$15.45 *note 1a*
- 3) Bottom Hose \$17.16 *note 1b*
- 5) Pump to Cylinder Block hose \$8.58
- 6) By pass hose \$8.24

Air cleaner to manifold hose :-

- 7) Oil bath cleaner \$17.16
- 8) Dry element cleaner \$26.60

*Note 1a suits radius rod front axle models
Up to Serial Number 148525*

*Note 1b suits straight axle models
From Serial Number 148526*

Prices plus GST and subject to change

COOLING CONT.

Fan Belt \$13.35

Water Pumps

Without Pulley \$75.98

With Pulley (27mm spigot) \$102.64

With Pulley (41mm spigot) \$102.64

Radiator \$479.88

Radiator Cap 7 psi \$15.00

Thermostat \$13.20

Fan blades \$14.36 ea 2 req.

Multi Blade Fan \$56.16

Fans suitable for 41mm spigot only

Engine

Oil pump \$86.65

Timing Cover \$197.28

Timing Cover Seal \$17.16

Fly wheel ring gear \$72.00

Flywheel Lock Plates \$3.44 ea

Piston \$82.50

Ring set \$21.75 per cy

Liners finished / Semi finished POA

Piston liner kit \$143.96 per cy

Con rod BE brgs \$21.84 full eng set

Main brgs \$39.00 full eng set

All brgs avail std - 0.030 thou. us

Crank shaft thrusts \$19.50 std

Con rod \$82.65

Conrod lock nut \$1.47 ea

Gudgeon bush \$5.15 ea

Crankshaft \$539.87 Rope Seal

Crankshaft Lip Seal \$547.60

Oil filler cap \$10.92

Eng oil dip stick \$7.80

Spigot
Diam.



Engine Kits AD3-152 3cy engine

Rope Rear Seal In Tractor \$499.21

Full O/haul \$559.39

With Crankshaft \$991.29

Lip Rear seal In Tractor \$499.21

Full O/haul \$560.71

With Crankshaft \$1004.60

Kits contain :-

In tractor :- gaskets, big end brgs, rings, Finished liners and pistons

Full o/haul :-gaskets, big end & main brgs, rings, finished or semi finished liners , pistons & thrusts

Crankshaft :-as full o/haul plus c/shaft .



Engine block \$1173.04 *Lip Seal Only*

Real lip seal housing \$71.76

Rear lip seal \$39.00

Rope type seal rear \$3.12 ea (2 reqd)

Engine Gaskets

Head Gasket Set \$42.12

Bottom Gasket Set \$46.80

Sump Gasket \$14.04

Head gasket \$29.64

Tappet cover gasket \$9.36

Injector kit \$185.30

Contains 3 x new injectors

Injector \$74.88 ea

Valve Train Kit \$109.31

Cylinder Head

Cy. Head assembly \$666.50

Inlet Valve \$9.00

Exhaust Valve \$12.75

Valve Guide \$6.09

Valve Spring (Outer Spring Only) \$4.20

Injector Washers \$1.22 ea

Valve Retainers \$2.19 ea



Exhaust

Up tp Engine No UA274531

Manifold :-Bottom Outlet \$51.48

Elbow to suit \$34.32

After Engine No UA274531

Manifold with Side Outlet \$76.44

Elbow to suit \$40.50

Manifold Gasket (2 req) \$3.12 ea

Ex Flange Gasket \$4.68

Manifold Stud/Nut set \$5.61 ea

Exhaust Clamp 2 1/4" \$4.00

Muffler \$58.50 Silver paint

\$76.25 Baked Enamel

Down Swept Ex Pipe \$76.50

Down Swept Muffler \$46.80

Heat Shield D/S Muffler \$32.76

Exhaust Clamp \$4.00 D/swept kit

Rain caps \$12.00

Fuel System

Lift Pumps

Model With Glass Bowl \$58.50

Model without Glass Bowl \$66.00

Glass Bowl \$12.48

Lift Pump Bowl Seal \$1.17

Fuel pump kits AC type, 5 screws \$21.06

Corona Type, 6 Screws \$36.51

Injection pipe kit \$65.52

Injector bleed back pipe \$37.50

Leak Off Reservoir \$28.08

Universal flexible fuel line \$18.72 length 56cm

Stop Knob \$5.46

Fuel Tank Cap \$14.04

Fuel Tap \$18.72

Tap filter \$2.81



Filters

Pre Cleaner Mushroom \$46.00

1) Oil Bath Air Cleaner assembly \$82.50

2) Oil Bath Air Cleaner Element \$27.00

Oil Filter Element \$10.20

Spin On \$15.00

Fuel Filter

Primary \$6.71

Secondary \$6.71

Dry air filter element

Inner \$33.10

Outer \$46.11

3) Air pre cleaner assembly \$46.31

(Donaldson type 52mm outlet)



Electrical

Generator \$166.63

Pulley \$34.32

Control Box \$66.00

Starter (RH Side of Engine) \$298.00

Gear Box Starter Isolating Switch \$36.75

Ignition. Switch \$34.50

Keys \$7.80 pr

Manifold Heater \$29.64

Wiring Lomh \$78.00

Headlamp Switch \$25.50



Battery leads

Terminal and lug :- 300mm \$23.96

460mm \$29.96 690mm \$38.12

900mm \$41.75 1200mm \$50.82

Lug each end 450mm \$26.33

610mm \$29.04 910mm \$38.12

Instruments

Oil Pressure Gauge \$26.52

Ammeter \$18.72

Water Temp. Gauge \$32.25

Fuel Gauge \$31.50

Fuel Tank Sender \$49.50

Instrument Panel

Light \$24.00



Tractor Meters & Drives

Tacho Meter

6 Speed Transmission

\$48.00

6 speed with Multipower

\$48.00

Tacho Cable \$20.25

Tacho drive assem. \$51.48

Includes gasket & seal

Seal only \$10.00



Lights & Panels

Headlight assembly LH/RH \$55.00 ea

Incl :- Cowl \$15.60

Semi sealed beam unit \$30.42

Fixing Set \$14.82

Work lamp \$50.00



Bonnet & Grill Catch Kit (Contains 4 Handles, 3 Dezus Clips, 1 Grill Door Screw) \$85.00

Lock Lever & hook for Battery Door \$18.50 set

Lock Lever for Hood Top Door \$14.51 ea

Wire latch for above lever \$3.20 ea

Bonnet side badge 135 \$23.40 2 required

Front badge bar \$37.44

Hood Pivot Bolt \$5.00 ea 2 req

10) Hood Top assembly \$995 *Incl. Doors (does not include latches)*

11) Lower Front Apron \$49.50

12) Grill avail 330 / 356mm High \$99.98 ea

13) Grill Door 330 / 356mm High \$48.00 ea

14) Top Nose Grill \$27.75

15) Side Panel 500mm LH / RH \$34.50 ea

15) Side Panel 525mm LH / RH \$33.00ea

Bonnet decal set \$29.50



Mudguards

2) Curved Guards \$450.00 pr.

Tail light to suit \$61.00 (round Butler type)

Mounting bracket to suit light above \$65 ea

Lenses and surrounds available

3) Flat top guards \$698.00 pr

Flat Top Guards (with tool box) POA

Lights to suit flat top guards :-

Tail lights \$51.48 ea

Front clearance \$39.00 ea

Mudguard bolt and nut \$11.50 ea

Footplates \$165 each

Tool Box :-universal \$48.00

Ferguson type \$48.00



Clutch Kits

Specify quality LUK clutches as used by original equipment manufacturers

9"x11" Clutch kit \$653.17

Up to Serial No 121069

Comprises of:-

Clutch cover incl. PTO plate \$560.00

Main drive plate 11" x 1 1/8x10 spline \$76.50

Thrust brg \$58.50

Flywheel brg. \$7.65



PTO plate only 9x13/4x10 spline \$58.50

Brg. Carrier Standard trans. \$34.50

Multipower \$34.32

10" x 12" Clutch kit \$653.17

Up to Serial No 439191

With 10 spline coarse PTO plate

Comprises of:

Clutch Assembly Incl.P.T.O. Plate \$546.53

Main Drive Plate 12" x 10 spline \$75.98

Thrust Brg. \$58.50

Flywheel Brg. \$7.65

PTO plate only 10"x13/4 x 10 spline \$54

Brg Carrier Std. Trans. \$34.50

Multipower \$34.32

10"x12" Clutch kit \$653.17

With 25 fine spline PTO plate

From serial no 439192

Comprises of:

Clutch Assembly incl. P.T.O. Plate \$546.53

Main Drive Plate 12"x 1 1/8x10 spline \$75.98

Thrust Brg. \$58.50

Flywheel Brg. \$7.65



PTO plate only 10" x 25 spline \$72.00

Brg Carrier Std Trans \$34.50

Multi power \$34.32

Pressure plate components avail. separately

Price on application



Prices plus GST & subject to change

Steering Column

Steering Wheel \$48.36

Steering Shaft Assembly (2 types)

Up to sn.no 400,000 \$166.36

After sr. no. 400,000 \$186.62

Bearing Kit \$29.64 (top of column)

Sector shaft Oil Seal \$4.68

Dome chrome nut \$9.74

Chrome washer \$13.26

Chrome collar \$14.04

Column to dash, rubber \$5.50

Rear Axle

1 Outer Seal \$11.70

2 Inner Seal \$7.02

3 Gasket Axle Housing \$2.97

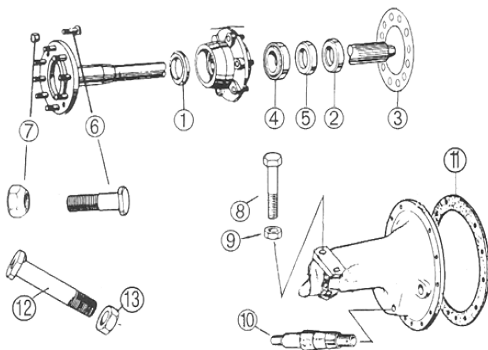
11 Gasket inner housing \$2.49

4 Axle Bearing cup and cone \$79.02

5 Bearing locking collar \$15.29

6 Wheel Studs 9/16in UNF \$3.15 ea

7 Rear Wheel Nuts \$1.56 ea



Brakes

Brake springs \$2.10 ea (2 per side)

Linings \$46.50 4 facings & rivets

Brake drum \$118.64

Brake Shoe Kit \$197.28 (4 shoes)

Handbrake lever repair kit \$17.16

Shoe retainer kit \$12.48 per side

Drum retaining screw \$4.68 ea

Gearbox

Large range of parts available POA

Hydraulics

Pump & Filters

MKII Pump With 10 Spline Camshaft \$906.44

Filter (Faces Up) \$21.00

MKIII Pump With 21 Spline Camshaft \$1053.07

Filter (Faces Down) \$23.40

Aux. Hyd. Pump With Vertical Mount Plate \$1173.04

Single Multipower Pump (Aux. Pump Not Fitted) \$793.14



Hydraulic pump repair kits

Standard overhaul:

MKII \$197.28

MKIII \$153.30

Major overhaul:

MKII \$393.24

MKIII \$373.24



Individual parts available

Hydraulic Lift Cover

Lift piston rings

Early Model (3 req.) \$5.93

Late model O Ring (1 req.) \$5.46

Back Up Ring \$22.47

Piston (O'Ring type) \$57.72

Ram Cylinder \$153.30

Cross Shaft \$119.97

Cross Short Bushes (2 req.) \$24.00

Cross shaft seals \$5.00 ea

Top lift arms \$225 ea

Other parts available POA



Prices plus GST and subject to change

Power Take Off

- P.T.O. Shaft (up to S/N 439191) \$160.00
- P.T.O. Shaft (after S/N 439192) \$206.62
- Out put shaft seal \$15.60
- Housing O' Ring \$2.73
- Rear bearing \$48.36
- Cover Cap \$31.20

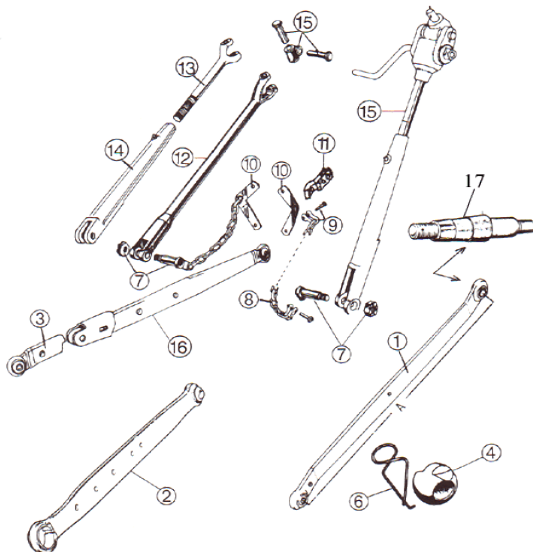


Three Point Linkage

- !) Lower Link Arms Cat 1 \$167.96
Length 838mm x 16 mm thickness
- 2) Lower Link Arms Cat 2 \$228.74
Length 890 x 16mm

Top link \$45

- 7) Eye bolt assembly (lower link) \$7.49
- 7a) Eye bolt with check chain mount \$13.20
- 8) Inner check chain & clevis \$14.04
- 12) Fixed yoke rod \$95.98
- Two piece yoke rod made up of :-
- 13) Male threaded \$57.00
- 14) Female Threaded \$40.50



17) Lower Arm Pivot Pin

Cat 1 \$16.50

Cat 2 \$28.08

4) Linkage Balls

Cat 1 \$11.70

Cat 2 \$11.70

Dual Cat 1/2 \$13.50

Ball Retaining Clip \$2.07 ea

Weld on Replaceable Ball Ends

Cat 1 \$16.53

Cat 2 \$23.85

15) Leveling Box \$146.63

Individual Parts Available POA

Linkage drawbar Cat 1 \$67.50

Cat 2 \$72.00

Universal Check Chains \$39.75 ea

Adjustable Stay Bars \$32.75 ea



General

Workshop Manual \$82.83

Gear Lever Knob (Plain) \$7.80

Gear Lever Boots \$3.00

Paint:

Grey 1L \$39.36

4L \$104.69

Red 1L \$47.64

4L \$127.05

Silver Mist

(Wheels) 1L \$43.32

4L \$109.32

Undercoat 4L \$90.22

Thinners 4L \$46.47



SEATING

Original design metal
bucket seat with hinge
mount bracket

\$130

Hinge Only **\$49.50**

Seat Cushions to suit bucket seat above,
Lower

Cushion **\$62.84**

Backrest **\$36.57**



3 way isolator valve **\$163.59**

ROLL OVER PROTECTION FRAMES

Hoop top frame
\$799.80

T-Bar frame
\$1019.75

Fold down for
low clearance
\$1622.26



Canopy & mount kits

T bar mount kit and
canopy **\$481**



Hoop type mount kit
and canopy **\$526**



Canopies available in
White, blue, orange, green, red

Suspension Seat
Custom designed for
MF 35 & 135
Tractors

\$243



Prices plus gst and subject to change

MF 135 Petrol Supplement

Cooling System

Water pump without pulley \$74.65
Thermostat \$13.20

Hoses

Radiator hose kit \$29.64
Top radiator hose \$20.18
Bottom radiator hose \$11.33
By pass hose \$7.89

Fan Belt

Narrow Belt \$16.85 after SF26224E
Radiator \$473.22

Radiator Cap \$10.00

Engine Kits 87mm bore

In Tractor \$691.76

Piston liner kits, BE brgs, gud.bushes, gaskets

Full Overhaul \$759.37

As above plus main brgs & crankshaft seals.

Crankshaft kit \$1198.10

As above plus new crankshaft

Piston / liner kit \$130.31 ea

Piston ring set Std oil ring \$19.50 per cy

Piston \$69 ea

Cylinder liner \$76.44 ea

Cylinder liner seal \$8.58 2 req

Crankshaft \$519.87

Big end brg set \$59.28 Avail std > 0.040"

Main brg set \$57.70 Avail. 0.030"

Crankshaft thrust set \$32.76 std & .005

Con Rod Lock Plate \$2.97 ea

Rear crankshaft oil seal \$10.14

Gudgeon bush 7.65 ea

Oil pump rotor assembly \$98.64

Ring gear \$86.65

Engine oil filter \$10.00

Cylinder Head

Inlet valve \$13.20

Exhaust valve \$15.00

Valve guide inlet \$6.00

Valve guide exhaust \$6.93

Valve spring \$3.90

Head gasket set \$48.00

Bottom gasket set \$31.20

Sump gasket \$7.17

Tappet cover gasket \$7.17

Head gasket \$32.76

Fuel system *using Zenith 28G carb*

Carburetor non orig design \$366.58

Carburetor gasket set \$17.16

Carburetor overhaul kit \$60.84

Needle and seat \$20.25

Fuel tap. \$43.50 *Non orig with glass bowl and reserve tap*

Glass bowl orig type \$12.48

Glass bowl non orig type \$9.36

Bowl gasket orig type \$1.17

Bowl gasket non orig type \$3.00

Exhaust

Upswept

Muffler \$58.50

Elbow \$51.00

Flange gasket \$4.37

Clamp \$4.00

Downswept

Muffler \$46.80

Exhaust pipe \$55.50

Flange gasket \$4.37

Clamp \$4.00

Manifold gasket kit \$5.93 incl. 2 gaskets

Manifold stud & nut \$6.24

Muffler rain cap \$12



Prices plus GST and subject to change

Clutch

Single Clutch Kit 9" \$471.35

Comprises of:

Pressure Plate \$197.28

Clutch Plate \$138.50

Release Brg. \$217.65

Spigot Brg. \$7.65

Dual Clutch Kit 9" / 11" \$798.52

Comprises of:

Pressure Plate \$662.50 (*incl P.T.O. plate*)

Clutch Plate \$124.90

P.T.O. Plate \$58.50

Release Bearing \$58.50

Spigot Brg. \$7.65

Release brg carrier Std Transmission \$34.50

Multipower \$34.32

Electrical

Ignition System

Spark plug \$4.00

Ignition points \$12.00

Condenser \$9.00

Distributor cap \$48.36

Rotor \$9.36

Spark plug lead set \$56.25

Complete distributor with cap \$279.93

12 volt ignition coil \$48.00

Starter motor \$223.94

Starter solenoid \$35.57

Ignition switch & key \$45.87

Ignition warning light \$12.00 *non orig.*

Generator pulley \$34.32

Engine breather hoses

Dash panel to air cleaner \$29.25

Air cleaner to carb. \$5.94 *2 req*

Air cleaner to breather pipe \$3.44

Breather pipe to oil filler \$5.70

Mushroom pre air cleaner \$46.00



Battery leads

Battery to earth 300mm \$23.96

Battery to solenoid 460mm \$29.96

Battery to solenoid 680mm \$38.12

Solenoid to starter 450mm \$26.33

Solenoid to starter 610mm \$29.04

General

Rev Counter Gauge \$48.00

Rev Counter Cable \$43.68

Temperature gauge \$32.25

Decals \$26.52

Service Manual \$82.83

Engine timing cover

Timing cover seal \$10.92

Timing cover gasket \$3.12

Timing cover \$224.58

Crankshaft sprocket \$69.27

Camshaft sprocket \$82.65

Governor weight Assembly \$82.50

Cup and shaft \$42.12

